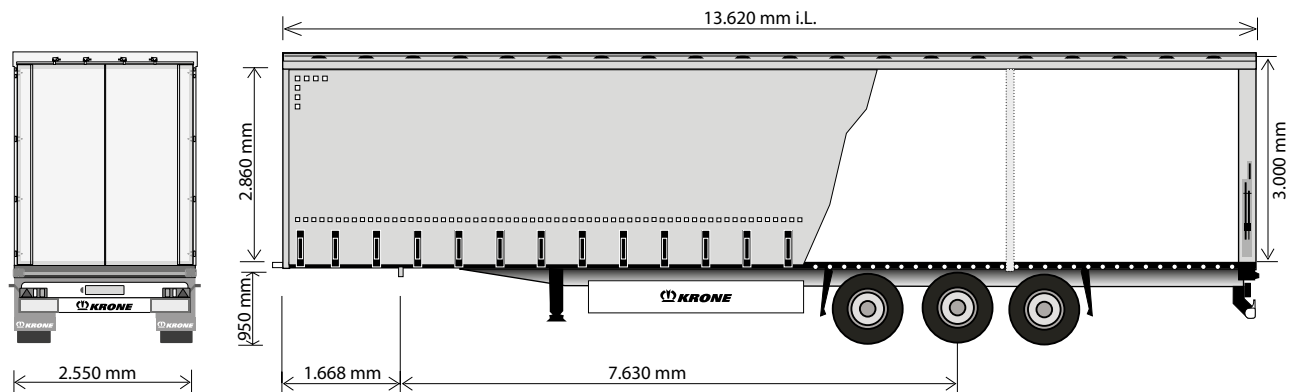


# Mega Liner

» Type: SDP 27 eLG4-CS



## Mega Liner with hydraulic lifting roof



### Technical data:

Type:	SDP 27 eLG4-CS
King pin load:	12,000 kg
Axle load (technically possible):	27,000 kg
Allowable gross weight (technically possible):	39,000 kg
Tare weight:	approx. 6,500 kg
Payload (technically possible):	approx. 32,500 kg
Axle spread:	1,310 / 1,310 mm
Neck height:	80 mm
5th wheel height:	950 - 1,160 mm
Side access length:	13,620 mm
Side access width:	2,480 mm
Side access height:	2,610 - 2,910 mm
Suitable internal height for automotive boxes:	3,000 mm

(Dimensions and weights for standard units)

### Multi Lock side rave as standard:

Award winning Multi Lock side rave including load securing positions every 100 mm. Load securing even diagonally to the driving direction with more than 3,000 strapping positions. Cost-effective and with best benefit.



No matter which loads should be transported, with the new Multi Lock- / Multi Blocksystem the loads are perfectly secured.

### Technical description:

Multi Lock side rave including load securing positions every 100 mm	Alloy cant rail, continuous, for support of sliding curtain and sliding posts; EDSCHA sliding roof with plastic joints, height 175 mm, grade 0 mm, suitable for automotive boxes according to DIN 15155; Lifting roof, hydraulic, liftable 500 mm at 4 corner posts Adjustable driving height, front, lowering device from basic position 150 mm (in 50 mm steps), reduced lift: 350 mm Adjustable driving height, rear, lowering device from basic position 100 mm (in 50 mm steps), reduced lift: 400 mm; 4 sets of wooden planks; diagonal roof spanning
2 mechanically operated landing legs, 2 x 12 tonnes capacity, half round with base plate	
Low-maintenance axles with air suspension and disc brakes (430 mm), offset 120; raise/lower valve incl. auto reset valve	
Tyres: 6 x 435/50 R 19.5, brand: Krone choice	
Spare wheel carrier as an option	Front wall bolted with solid corner posts; lateral restricted through loading; Front wall reinforced with plywood inner skin; quick release for side curtains on front wall; retainer for curtain cord
Wheel covering according to EC-regulations; Spray suppression according to EC-guidelines	Container rear doors including bolted steel frame, integrated double door locks and concealed door hinges; roof header hinged and movable; clamping device for tarpaulin with ratchet at the rear frame
Brake system according to ECE R 13, including vehicle stabilising system; spring parking brake; 2S/2M EBS system, 2 sensors on one axle with RSS, diagnostics by ISO 7638 socket (EBS)	3 pairs of side posts, symmetrical, Plank pockets for posts
Lights according to UN ECE reg. no. 48; 24 volts lighting system with 2 x 7-pin socket DIN ISO 1185/3731; front and rear marker lights; two multi-function rear lights incl. rear fog light and reversing lights; contouring lights, number plate lights and side marker lights in LED	Delta shaped rubber profiles at rear; delta steel buffers at rear; load security certificate according EN 12642 Code XL
30 mm thick, phenolic coated plywood floor, cut surfaces fully waterproofed and sealed. Strength acc. to DIN EN 283; for floor loadings up to 7,000 kg stacker-truck axle load	1 PVC curtain with full lengths vertical reinforcements, top with rollers for sliding curtains, bottom with tensioners, curtain tensioner out of stainless steel
	Steel parts shot blasted, with KTL primer and high-quality surface coating (standard painting single-colour); axles incl. wheel hubs painted black; underrun protection and light panel powder coated white for safety reasons; wheels silver with high-quality paint finish; reflective outline marking according to ECE-R48



Fahrzeugwerk Bernard KRONE GmbH & Co. KG  
Bernard-Krone-Straße 1, 49757 Werlte, GERMANY  
Phone: +49 (0) 5951 209-0, Fax: +49 (0) 5951 209-98-268

Subject to modifications!  
VF/Beu issue 07/2017